

i = info - stop 2 sec. ★ = new part

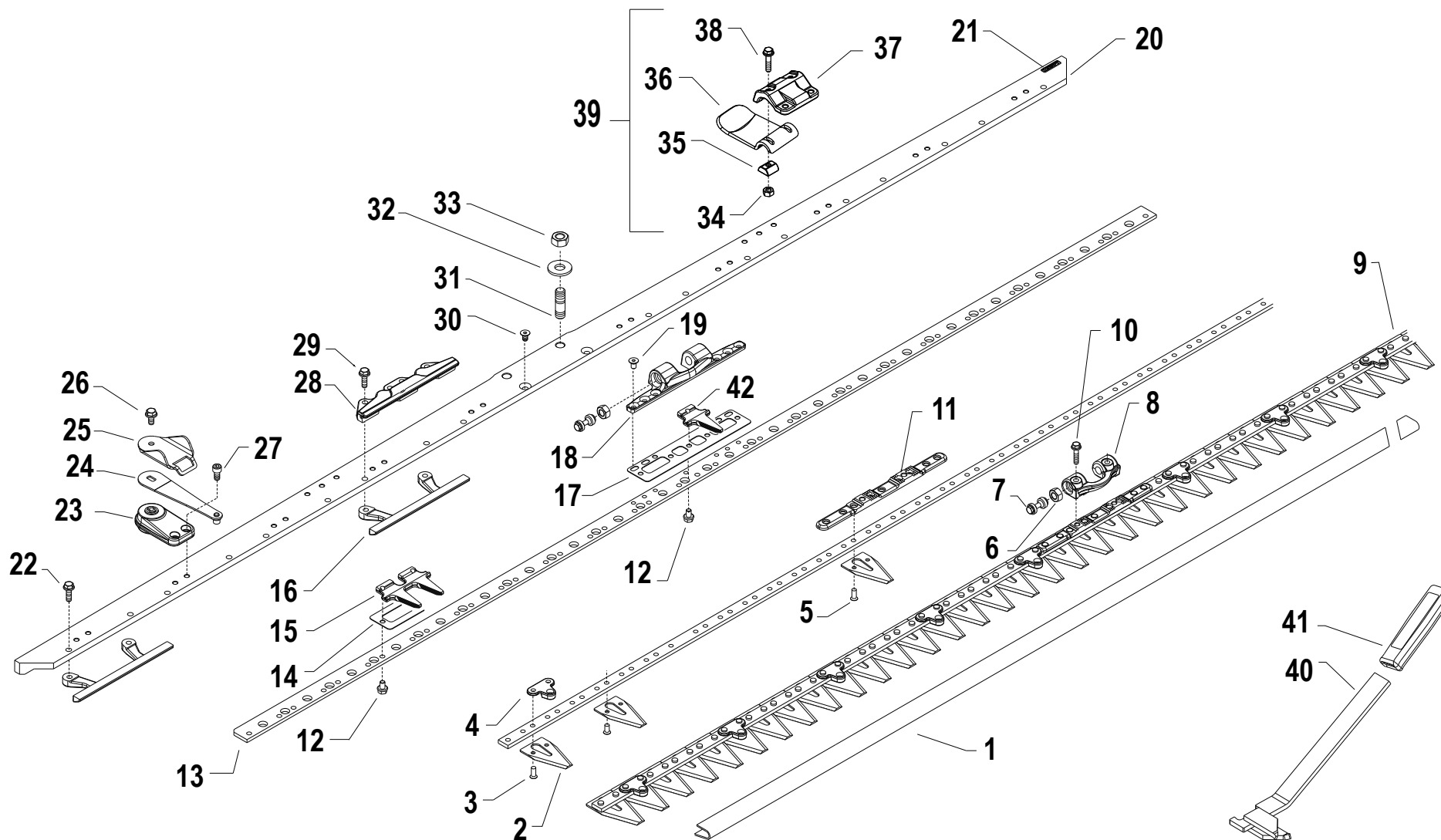
Pos.	Code	Q.ty	Description	Notes
1	552C1323		PROTEZIONE BARRA DM m.2,10	
2	56358761		BLADE SECTION	
3	33126513		RIVET TC 6,5X13	
4	52458678		CONNECTION	
5	33126516		RIVET TC 6,5X16	
6	58058661		CONICAL NUT M16X1.5	
7	58058662		SCREW FOR BLADE CONNECTION	
8	52158700Z		BLADE COUPLING BF2011 ZINC-COATED	
9	590C1310T		BLADE	
10	31112165		SCREW TE C/F M8X35 DIN 6921 8G	
11	563C1312		ZOCCOLO LAMA LASER DM	
12	58058659		SCREW	
13	563C1315		STRISCIA PETTINE M.2,10	
14	563C1318		PATTINO DM	
15	524C1316		DENTE DOPPIO DM STAMPATO	
16	524C1313T		GUIDE	
17	563C1319		PATTINO CENTRALE DM	
18	521C1320		ATTACCO PETTINE DM grz	
19	58058522		SCREW	
20	563C1322N		BAR	
21	53058751		LASER CUTTER BAR BRAND	
22	31112170		SCREW TE C/F M8X20 DIN 6921	
23	59258715		SUPPORT	
24	59058764D		SPRING GOLDFINGER	
25	563C1324D		LIMITER	
26	31112171		SCREW TE C/F M8X16 DIN 6921	
27	31152077		SCREW TCEI M8X16 UNI 5931	
28	563C1321Z		GUIDE	
29	31112167		SCREW TE C/F M8X30 DIN 6921 8G	
30	31132566		SCREW TSVEI M8X20 UNI 5933	
31	31312141Z		STUD BOLT	
32	31421251		WASHER	
33	31221151		NUT M14X1,5	
34	31241085		SELFLOCK NUT M8 6S	

SERIAL

BARRA LASER DOPPIO MOVIMENTO

CODE REV

A.13E.03.A0001_00



i = info - stop 2 sec. ★ = new part

Pos.	Code	Q.ty	Description	Notes
35	52158748Z		FIXING SLIDE SLITTA BF2011 ZNT	
36	56158749Z		SLIDE	
37	52158747Z		SUPPORT	
38	31112165		SCREW TE C/F M8X35 DIN 6921 8G	
39	59258746		COMPLETE SLIDE FOR CUTTING BAR	
40	59058593Z		SPRING LIFTER	
41	55102714		KNOB	
42	524C1317		DENTE SINGOLO DM STAMPATO	